



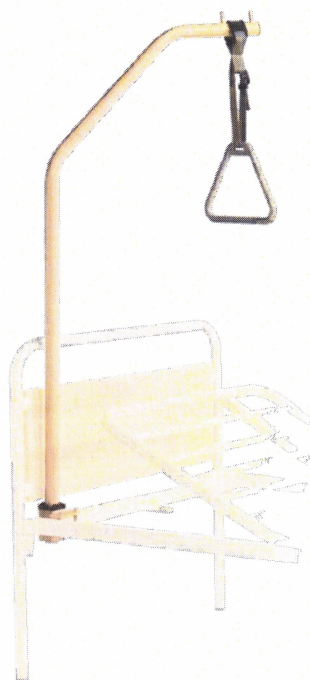
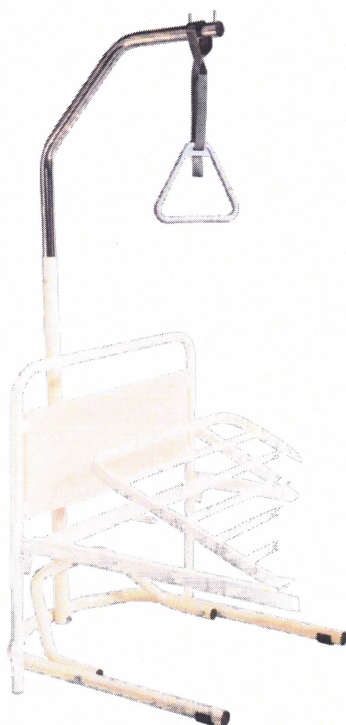
Lifting Pole

Floor standing VLA 200

Code 90590200

Bed attached VLA 100

Code 90590105



Qualifying Product **CE**

USER MANUAL

VAIMAS SRL

Via Volpato, 39

36035 Marano Vicentino VI

AZIENDA CON SISTEMA
DI GESTIONE QUALITÀ
CERTIFICATO DA DNV GL
= ISO 9001 =

Direttiva 93/42 CEE
Ausili Medici Classe I

VAIMAS SRL Via Volpato, 39 36035 Marano Vicentino VI

Rev 1,3

GENERAL INFORMATIONS

The lifting pole have been conceived for the hospitality of people who are hospitalized for reasons of health in institutions, hospital / healthcare facilities or in the family.

For the purpose of Directive 43/92 / CE, lifting pole are to be regarded as Class I medical aid

To ensure longer life Vaimas srl recommends periodic cleaning and maintenance work.

LIFTING POLE FLOOR STANDING/BED ATTACHED

A lifting pole floor standing are made up of the following components:

Painted base

Shaped contrast tube

Junction tube

Shaped top tube

Triangular handle with strap (Replacement part cod 320900) Bag for mounting screws

A lifting pole bed attached are made up of the following components:

Compression sleeve varnished with screws

Shaped top tube

Clamp to the bed head

Triangle handle with strap (replacement part cod 320900)

LABEL applied in the top shaped tube allows the article to be identified

For lifting pole floor standing on cod 90590200

| | |
|--|---|
|  VAIMAS SRL Via Volpato,39 36035 MARANO VICENTINO (VI) ITALY | |
| REF 90590200 | ALZAMALATI A BASE VLA 200 |
| Carico di funzionamento in sicurezza: 80 kg | SN XXXXXX XXXX  XXXXXX |
| Peso Kg 11 |     |

For lifting pole bed attached cod 90590105

| | |
|--|----------------------------|
| VAIMAS SRL Via Volpato,39 36035 MARANO VICENTINO (VI) ITALY | |
| REF 90590105 | ALZAMALATI INNESTO VLA 100 |
| Carico di funzionamento in sicurezza: 80 kg | SN XXXXX XXX XXXXX |
| Peso Kg 3,6 | ⚠️ ⚡️ ⓘ CE |

ASSEMBLY

Follow these instructions for the installation of **lifting pole floor standing**:

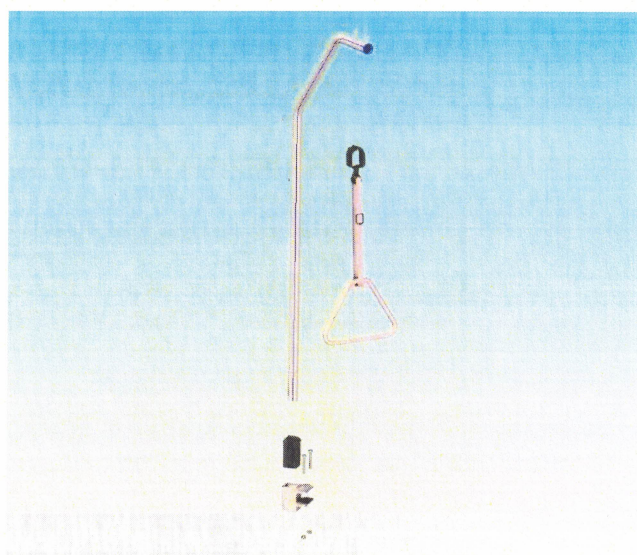
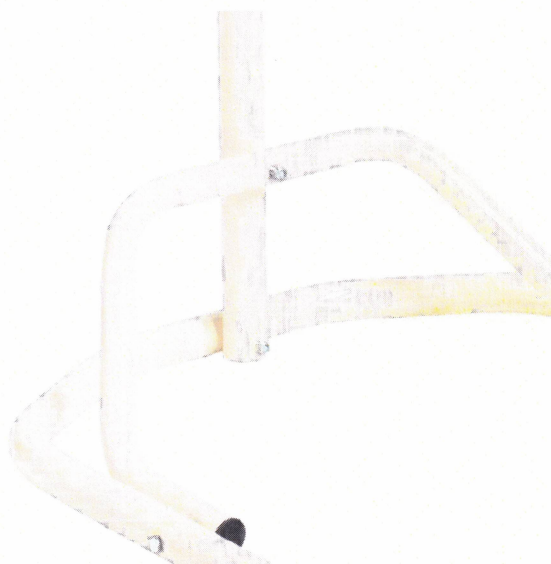
Remove the various components from their packaging and place them on the floor.

Ground the base; Rotate the arc of contrast; Insert the junction tube between the base and the contrast arc; Apply the two screws from M8 and tighten with a 13 wrench.

Insert the top shaped tube and place it at the desired height and secure it with the supplied M6 screw with blind nut

Then position the strap so that the rubber reinforcement remains between the two pins in the tube

Adjust the strap through the fiber at the desired height.



To install the **lifting pole base attached** follow these instructions:

Apply the clamp **provided only for the Vaimas beds** in the cross-section of the net (raised side) towards the outside at any position permitted on the crossbar and then tighten the 2 screws.

Insert the top shaped tube into the desired height at one of the three prepared holes and secure it with the screw supplied with M6 with a blind nut.

Insert the clamp into the head tube and tighten it with the knob

Then position the strap so that the rubber reinforcement remains between the two pins in the tube

Adjust the strap through the fiber at the desired height.

SAFETY

- Make sure that the lifting pole are well positioned and according to the bed model fixed or leaning flat on a rigid surface
- Check the status of the triangle strap and the mounting screws on the frame
- Adjust the length of the belt and the height of the frame
- Attend the sick person during the elevation operation and pay attention during use
- Do not tamper with or change the parts of the lifting pole
- Avoid abrupt movements or dangerous oscillations
- Do not exceed the maximum permissible span specified in the technical data sheet and the relevant CE label on the aid
- The manufacturer declines any liability for damages caused by improper use not provided in this manual.

MAINTENANCE

The lifting pole do not require special maintenance, however, it is advisable to check the connection of the various components of the structure, the strap and the triangle

CLEANING

For cleaning, it is recommended to use non-abrasive detergents by passing the affected parts with a damp cloth and dry immediately.

In case of wall sanitation of hospitals or nursing homes use products whose known degree of corrosion is not to damage the bed.

Observe product specifications regarding temperature concentration and reaction times. In any case, do not use sulfuric or mineral acids.

For use and safety refer to the manufacturer's safety data sheets.

DEMOLITION AND DISPOSAL

The materials of which it is composed are painted or galvanized steel, plastic material.

If disassembled, disassemble the various components by grouping them by type of material, then dispose of them in accordance with current regulations.

TECHNICAL DATA

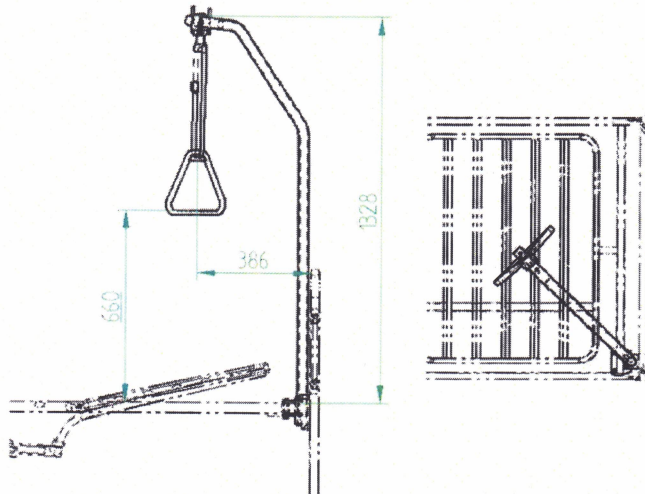
The lifting pole are made according to UNI CEI EN 60601-2-52

| Item Code | Description | Weight | maximum capacity | Size width x lenght x height |
|-----------|-------------------------------------|--------|------------------|------------------------------|
| 90590105 | Lifting pole base attached VLA 100 | 3,6 | 80 | 386 x 1328 |
| 90590200 | Lifting pole floor standing VLA 200 | 11 | 80 | 700 x 864 x 2000 |

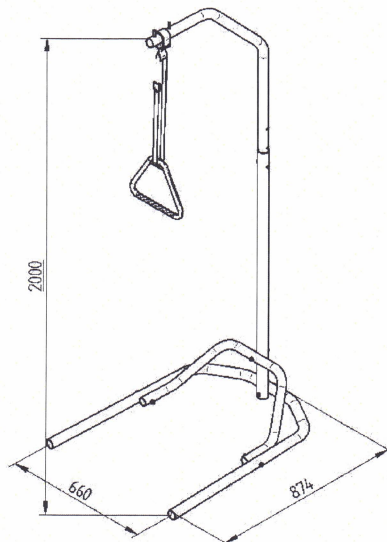
Do not exceed the maximum flow rate

Sound level <45 dB

LIFTING POLE BASE ATTACHED VLA 100 90590105



LIFTING POLE FLOOR STANDING VLA 200 90590200



 **WARRANTY**

The warranty covers the period of TWO years from the date of purchase confirmed by the tax receipt and covers any defects in materials and workmanship that may be present before delivery.

Any faults or defects found must be promptly communicated to your distributor or area agent.

At its sole discretion, Vaimas srl may act by repairing the defect or replacement of parts or items.

The warranty does not cover additional costs such as:

Shipping, packing, labor or various expenses etc which are the customer charge

The warranty does not include:

- Damage due to transport if not communicated at the time of delivery to the shipper
- Repairs to centers and unauthorized personnel
- Parts subject to normal wear
- Damage caused by dolphin or bad use of the bed
- Changes or alterations to the product
- all expenses not provided under this Contractual Warranty, or by
- Legal Guarantee, in particular charges for non-use
- Warranty actions do not have the effect of prolonging it, unless special arrangements are made.
- Replacement parts may become the property of Vaimas srl